



# ROTOBUCK

Widely used in irrigated agriculture, the C&M Rotobuck is a must-have linkage-mounted implement, designed to enhance and accelerate row cropping preparation.

Adding value and efficiency to your farm, Collier & Miller's proven design and construction provides a fast and efficient way prepare your irrigation bays.

## FEATURES & BENEFITS

- Hardened Edges on Rotor
- Hardened Rollers on Trip Mechanism
- Heavy Duty Construction
- Indexed cylinder action - 1 stroke = 1 trip
- Cat-3 / Cat-4 Linkage
- Powder Coated Finish
- Available in 12, 14, 16 & 20 foot widths

## OPTIONAL EXTRAS & UPGRADES

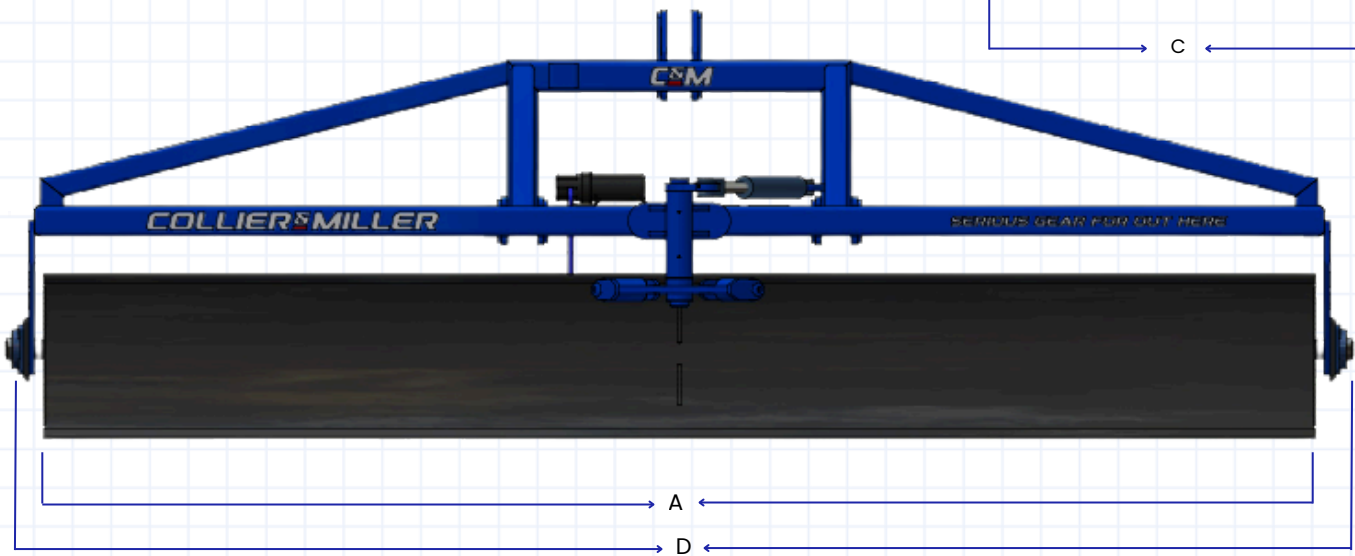
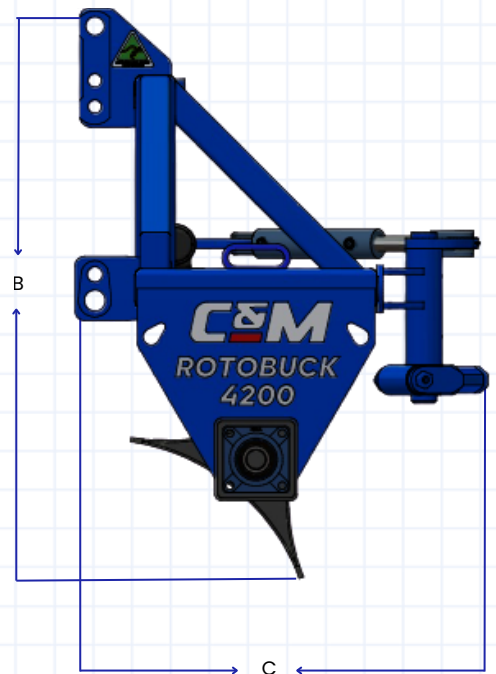
- Hydraulic Furrow Cleaner
- Electric Over Hydraulics



**COLLIER & MILLER**



**SCAN FOR  
MORE INFO**



MODEL	CMRB12	CMRB14	CMRB16	CMRB20	CMRB8
DESCRIPTION	3600 Rotobuck	4200 Rotobuck	4800 Rotobuck	6100 Rotobuck	8000 Rotobuck
A = BLADE LENGTH	3600mm	4220mm	4830mm	6200mm	8000mm
WEIGHT	800kg	1000kg	1200kg	2900kg	4000kg
LINKAGE	Cat 3/Cat 4	Cat 3/Cat 4	Cat 3/Cat 4	Cat 3/Cat 4	Cat 3/Cat 4
HYDRAULIC REMOTES REQUIRED	1	1	1	1	1
BLADE STYLE	Triangular	Triangular	Triangular	Triangular	Triangular
BLADE TRIP	Roller Hydraulic	Roller Hydraulic	Roller Hydraulic	Roller Hydraulic	Dual Roller Hydraulic
CYLINDER SIZE	2.5x8 Cylinder	2.5x8 Cylinder	2.5x8 Cylinder	2.5x12 Cylinder	3x12 Cylinder
ROTO BEARING DIAMETER	2" dia	2" dia	2" dia	3" dia	3" dia
B = OVERALL HEIGHT	1170mm	1170mm	1170mm	1472mm	1475mm
C = OVERALL WIDTH	920mm	920mm	920mm	1070mm	1385mm
D = OVERALL LENGTH	3848mm	4468mm	5078mm	6560mm	8360mm
POWER COATED FINISH	Yes	Yes	Yes	Yes	Yes
FURROW CLEANER	Extra Upgrade Available	Extra Upgrade Available	Extra Upgrade Available	Extra Upgrade Available	Extra Upgrade Available